

PRE-INSTALLATION GUIDE NOTES

This installation guide has been compiled based upon empirical testing in accordance with AS 5637.1-2015 and its reference standard AS ISO 9705 -2003 (R2016). In accordance with these provisions, this installation guide serves to illustrate, as far as possible, a means of installing the ISO² Panel system in manner that is consistent with the tested system (BRANZ FI11441-001). To maintain its suitability of use, the onus is on the installer to adhere to these instructions as far as reasonably practical.

The following components are part of the nominated install system and were used as part of the tested system.

The system comprises of the following:

- ◆ PIRMAX ISO² panels
- ◆ Plastic insulation fasteners (Powers C5 Insulation Fastener or approved alternative*)
- ◆ PIRMAX/AFC100 (100mm) reinforced self-adhesive tape

INSTALLATION CONSIDERATIONS

If there are fire collar penetrations in the soffit, then a clearance of a minimum of 25mm must be maintained between the fire collar and the insulation board. Fire collar penetrations must be taped with PIRMAX/AFC100 (100mm) reinforced self-adhesive tape in accordance with taping instructions, covering the exposed edge.

The recommended install system is as tested to **AS ISO 9705:2003 (R2016) in accordance with AS 5637.1:2015. Any variation to this install recommendation will need to be referred to PIRMAX, or the design team on the project.

NOTE: This is a building insulation product and not an architectural building lining. Imperfections may occur in the manufacturing process.

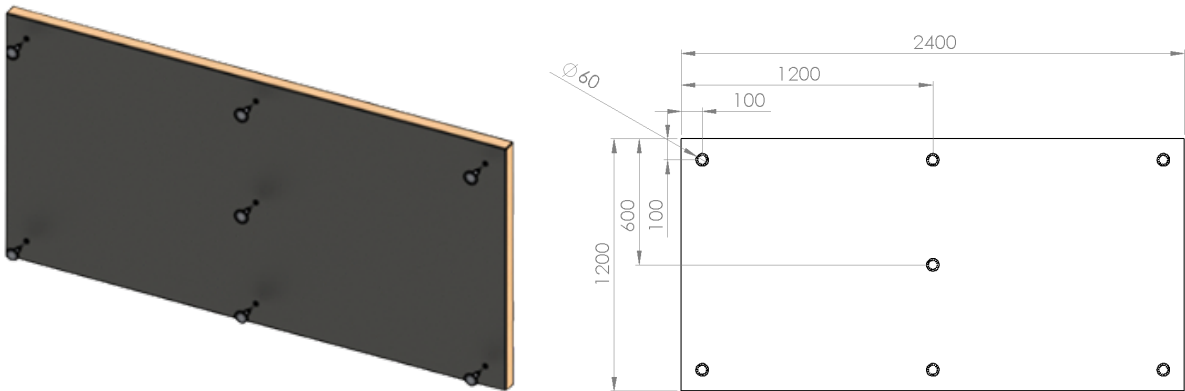
*Approved by building certifier prior to installation. **tested thickness 40mm

DIRECT FIXING TO CEILINGS AND SOFFITS

1. PIN PLACEMENT FOR CEILINGS AND SOFFITS

For a typical 2400mm x 1200mm ISO² panel, a minimum of 7 plastic insulation fasteners per board is required (≥ 2.43 fixings per m²).

Where custom length long boards have been ordered, a minimum fixing density of 2.43 fixings per m² must be maintained. The fixing pattern should resemble a repeat pattern of the diagram below. For smaller panels, fixing should be located at 100mm from each edge and a maximum 1100mm in the longitudinal direction and 1000mm in the cross direction with every second row requiring a center fixing as indicated below



When fixing the panel to the soffit, start with the center fixing, this will help support the weight of the board while the remaining fixings are installed.

The plastic fasteners must be installed at a perpendicular the face of the panel. This will ensure a flush placement of the fastener on the PIRMAX ISO² panel.

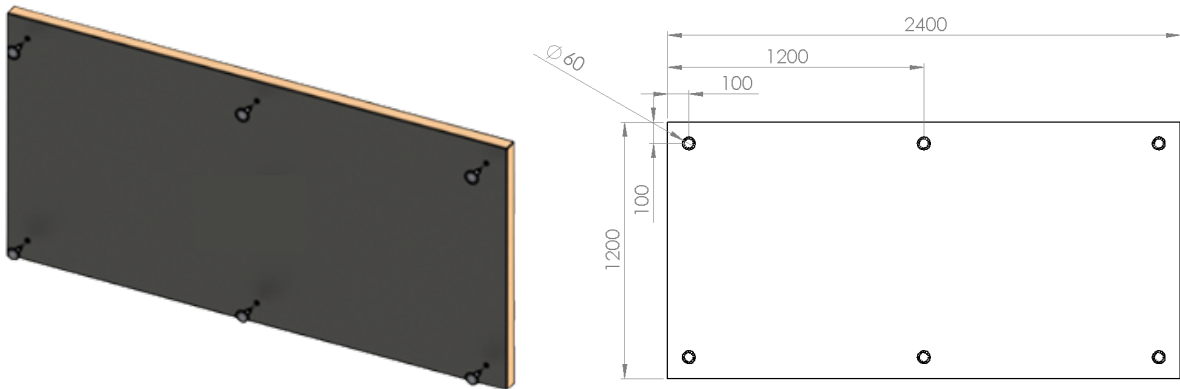
For end or edge where and exposed edge will be visible, please refer to taping instructions before fastening into position.

DIRECT FIXING TO WALLS

1. PIN PLACEMENT FOR WALLS

For a typical 2400mm x 1200mm ISO² panel, a minimum of 6 plastic insulation fasteners per board is required (≥ 2.08 fixings per m²).

Where custom length long boards have been ordered, a minimum fixing density of 2.08 fixings per m² must be maintained. The fixing pattern should resemble a repeat pattern of the diagram below. For smaller panels, fixing should be located at 100mm from each edge and a maximum 1100mm in the longitudinal direction and 1000mm in the cross direction.



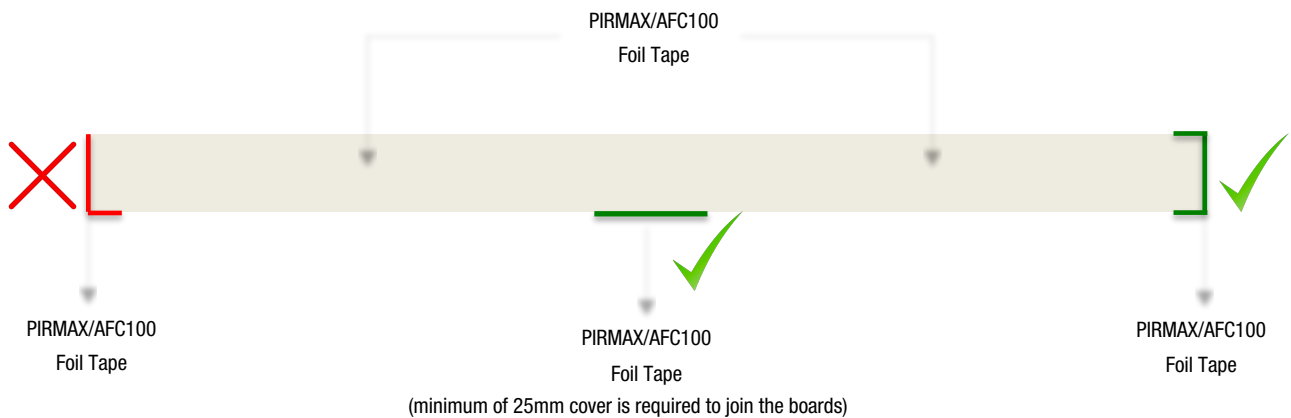
The plastic fasteners must be installed at a 90deg angle. This will ensure a flush placement of the fastener on the PIRMAX ISO² panel.

For end or edge panels where an exposed edge will be visible, please refer to taping instructions before fastening into position.

DIRECT FIXING TO WALLS, CEILINGS AND SOFFITS

2. TAPE APPLICATION PIRMAX/AFC100 (100mm) REINFORCED SELF-ADHESIVE TAPE

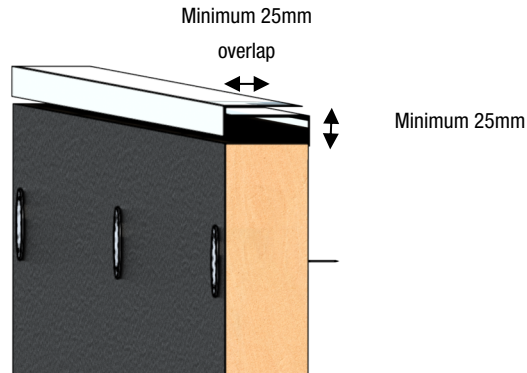
1. The area of application is required to be free of contaminants such as oils or dust. The surface must be cleaned with a clean dry cloth before applying the PIRMAX/AFC100 (100mm) adhesive tape.
2. Where a surface is unable to be cleaned effectively with a clean dry cloth or if oil containments are present, scrub with a 50:50 mixture of isopropyl alcohol (IPA) until clean. (50% IPA + 50% Water = mixture)



4. Seaming of the center joints requires equal tape cover along each edge using the PIRMAX/AFC100 (100mm) reinforced self-adhesive tape. In all cases, a minimum of 25mm coverage from the edge of the panel is required.
5. Seaming of the end/edges on PIRMAX ISO² panels require the use of PIRMAX/AFC100 (100mm) reinforced self-adhesive tape and must be wrapped around the ends with a minimum 25mm tape cover top and bottom facing of the PIRMAX ISO² panel facing edge. The seaming of the edges of ends should occur before fixing the panels into position.

DIRECT FIXING TO WALLS, CEILINGS AND SOFFITS

2. TAPE APPLICATION PIRMAX/AFC100 (100mm) REINFORCED SELF-ADHESIVE TAPE



5. Where the PIRMAX ISO² is more than 50mm thick, the PIRMAX/AFC10 will not be wide enough to satisfy the minimum 25mm adhesion width to the foil surfaces of the panel. In these instances, two lengths of the PIRMAX/AFC10 will need to be overlapped by a minimum of 25mm to create a wide edge tape.

6. Once the tape is applied to the PIRMAX ISO² panel facing, using the white plastic applicator supplied, firm amount of pressure must be applied to the reinforced self-adhesive tape to achieve sufficient wet-out onto the PIRMAX ISO² panel. Sufficient pressure is required to form an adequate bond.

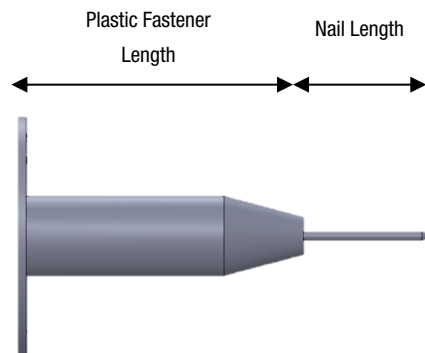
Note: The PIRMAX/AFC100 (100mm) reinforced self-adhesive tape will not stick to the exposed PIR core. Sufficient adhesions area must be found in contact with the foil facings.

DIRECT FIXING TO WALLS, CEILING AND SOFFITS

PIRMAX ISO² PANEL AND PLASTIC FASTENER SIZE COMBINATIONS

PIRMAX ISO ² Product Thickness	Plastic Fastener Length
PIRMAX ISO ² -Panel 25mm	25mm
PIRMAX ISO ² -Panel 30mm	30mm
PIRMAX ISO ² -Panel 40mm	40mm
PIRMAX ISO ² -Panel 50mm	50mm
PIRMAX ISO ² -Panel 60mm	60mm
PIRMAX ISO ² -Panel 70mm	70mm
PIRMAX ISO ² -Panel 75mm	75mm
PIRMAX ISO ² -Panel 80mm	80mm
PIRMAX ISO ² -Panel 90mm	90mm
PIRMAX ISO ² -Panel 100mm	100mm

Nail length in accordance with fixing suppliers recommendation for adequate penetration depth for substrate.



Distributed by:



Reflex Insulation Pty Ltd
 Phone: **1300 720 185**
 Email: info@reflexinsulation.com.au
www.reflexinsulation.com.au